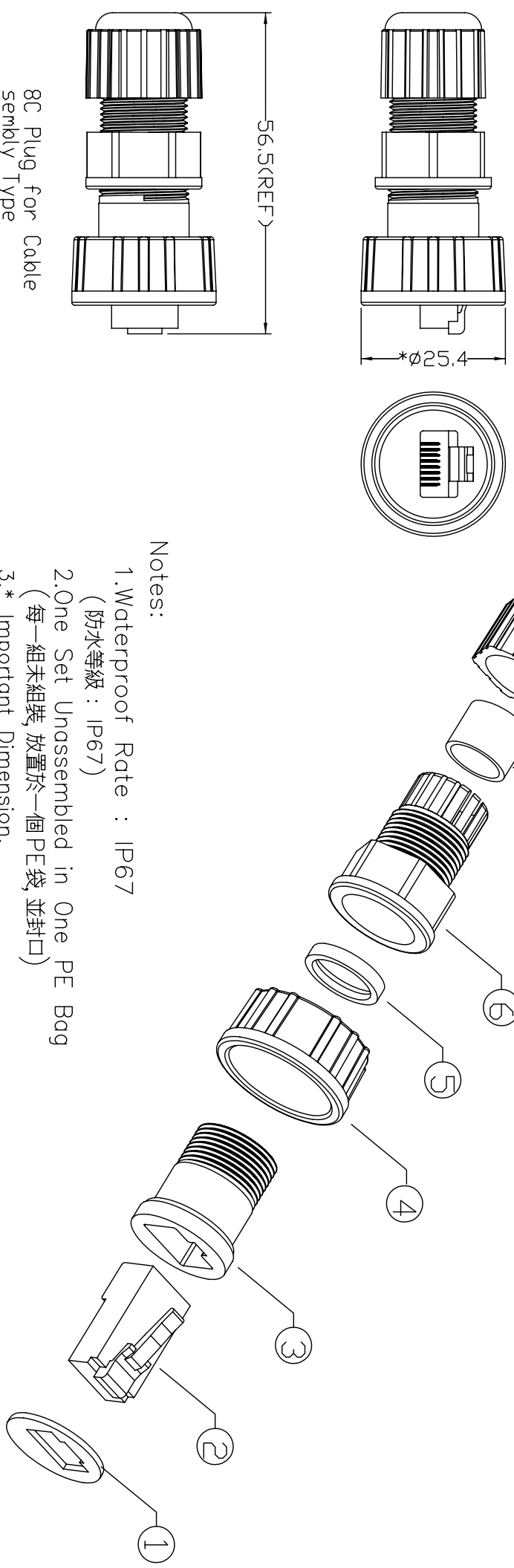


REVISIONS			
DATE	LTR	DESCRIPTION	APVN.
04/26/2006	A	NEW RELEASE	



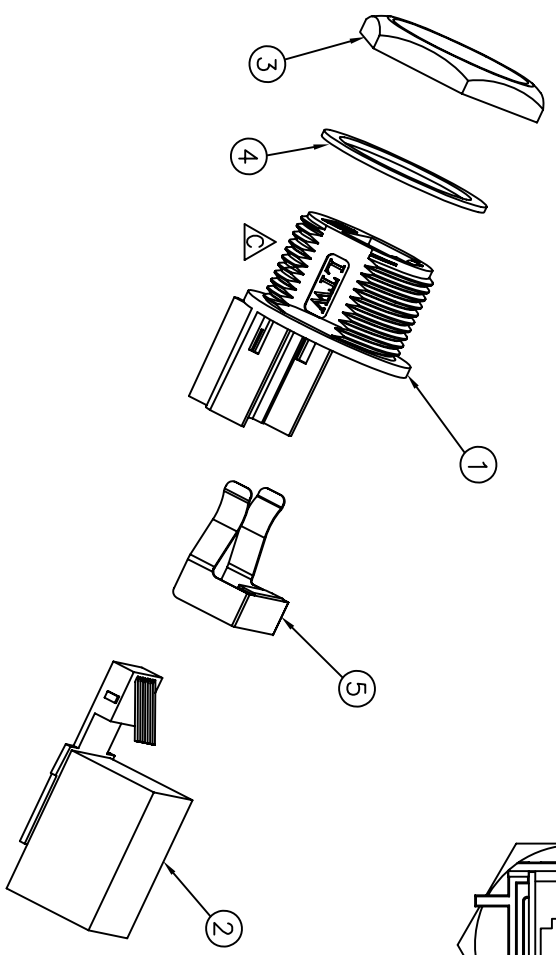
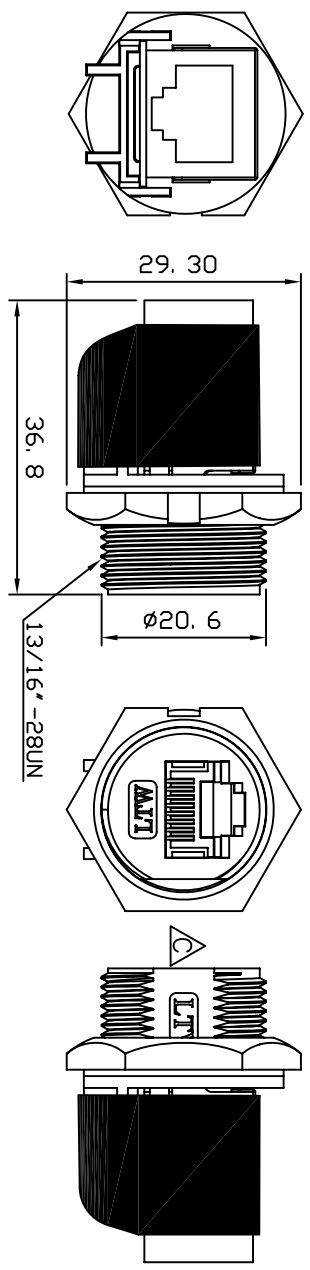
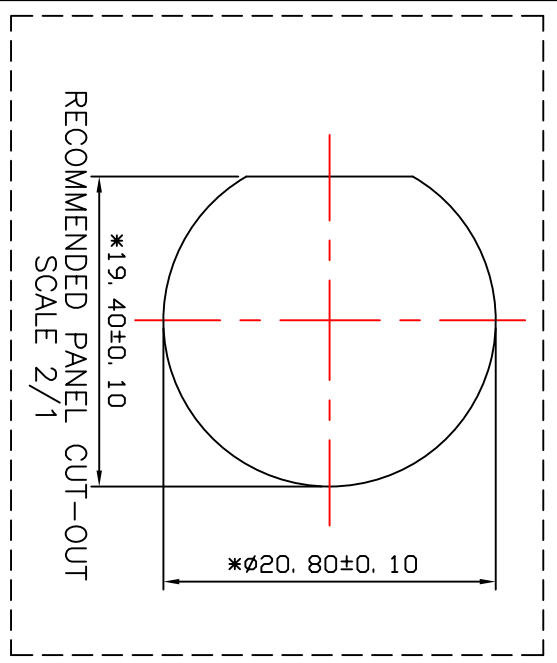
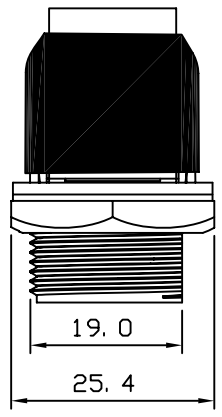
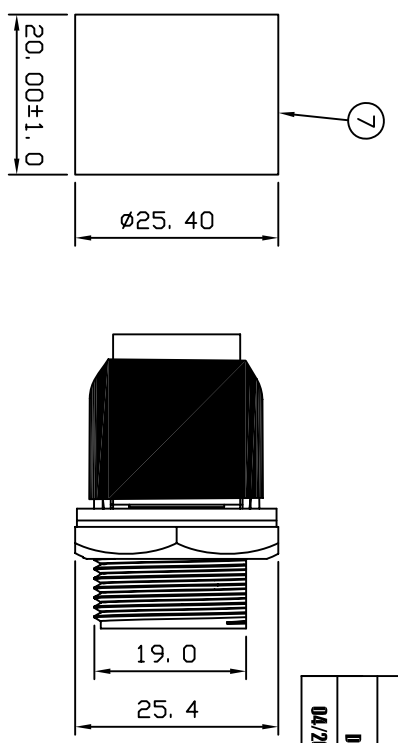
Notes:

1. Waterproof Rate : IP67
(防水等級：IP67)
2. One Set Unassembled in One PE Bag
(每一組未組裝，放置於一個PE袋，並封口)
3. * Important Dimension.
(* 為重點檢驗尺寸)

NO.	NAME	COLOR	SPECIFICATION	QTY
8	SEALING NUT	Black	Nylon	1
7	SEALS	Black	EPDM	1
6	Clamp Ring	Black	Nylon	1
5	Gasket	Black	EPDM	1
4	SCREW NUT	Black	Nylon+GF	1
3	BODY	Black	PC+ABS	1
2	PLUG		8P8C,Shield 6u"Gold Plated	1
1	Gasket	Black	EPDM	1

UNLESS OTHERWISE SPECIFIED		TITLE		REV.	
TOLERANCE : ANGLES : ±2°		GRAND-TEK TECHNOLOGY CO., LTD.		C3121	
X.X ±0.3 DO NOT SCALE DRAWING		榮昌科技股份有限公司		RG45 PLUG FOR CAT5 FTP	
X.XX ±0.15		PART NO. NXS-RJ45PCBL-01		PAGE 1 OF 1	
DRAWN BY YU WEI		THIRD ANGLE PROJECTION		DATE 04/26/2006	
CHECKED BY		SCALE 1 : X		ITEM NO. GTTPL-4FXASXX	
APPROVED BY		UNIT mm		DATE	
DWG NO.		SIZE A		DATE	

REVISIONS		
DATE	LTR	DESCRIPTION
04/26/2006	A	NEW RELEASE



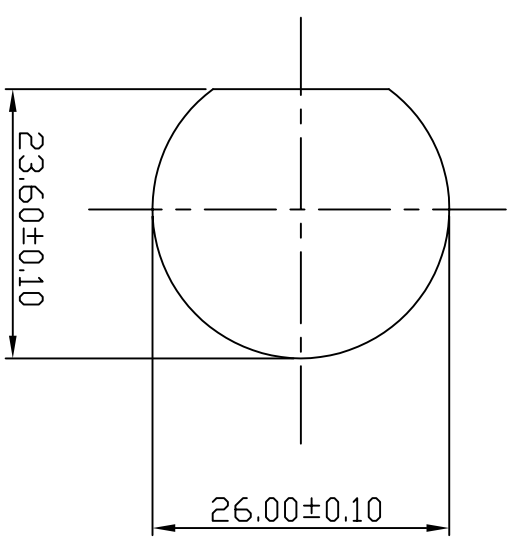
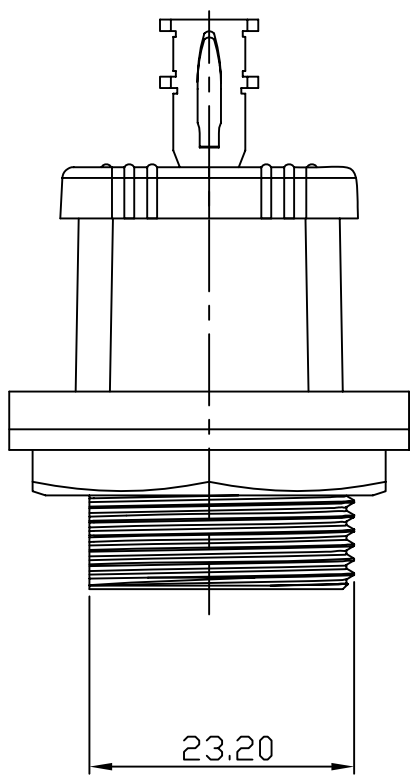
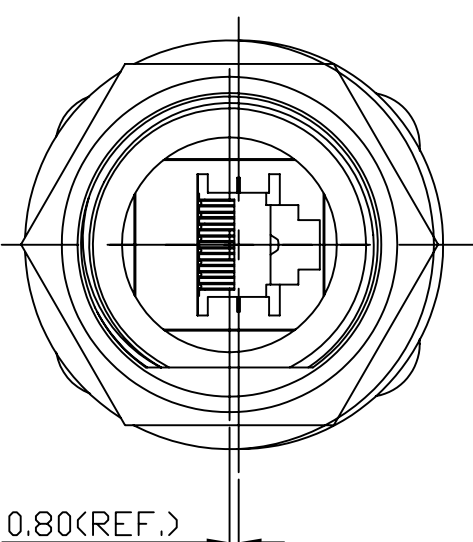
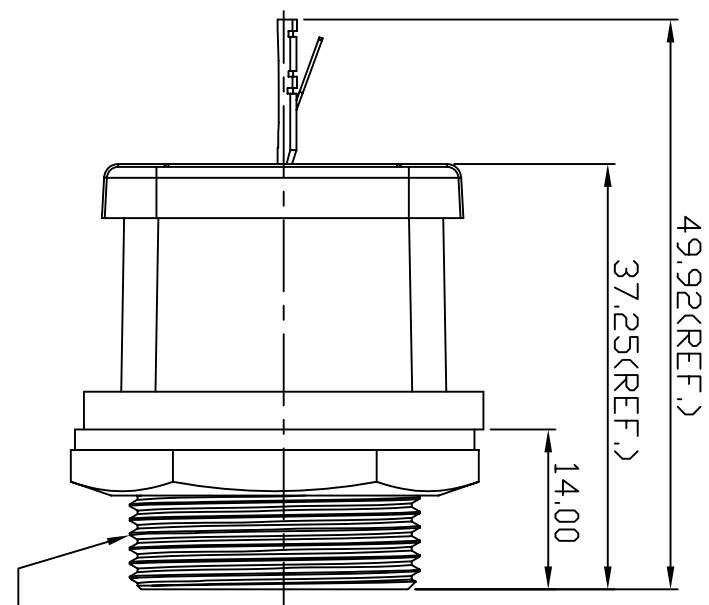
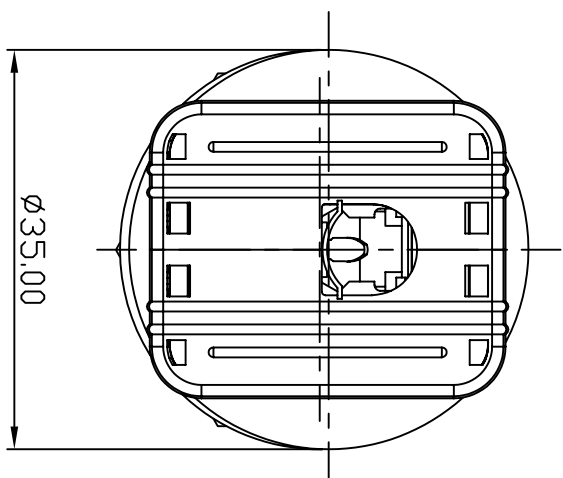
7	1	EA	HST-25, 4-W3F2		
6	1	EA	ZIPPER BAG	#2	
5	1	EA	SHEET	BRASS, NICKEL PLATED 50u"	SILVER
4	1	EA	GASKET	EP70	BLACK
3	1	EA	NUT	NYLON+GF	BLACK
2	1	EA	PCBA		
1	1	EA	CLIP SOCKET	ABS, 94V-0	BLACK
ITEM Q'TY U/M			DESCRIPTION	MATERIAL	FINISH

UNLESS OTHERWISE SPECIFIED		TOLERANCE :		ANGLES :	
X.X ±0.3		X.XX ±0.15		DO NOT SCALE DRAWING	
DRAWN BY		YU WEI			
CHECKED BY					
APPROVED BY					
DWG NO.					
TITLE		R145 Shielded Jack		C3121	
SIZE		UNIT		PART NO.	
SCALE		1 : 1		NXS-R145PNT-01	
THIRD ANGLE PROJECTION				REV. A	
DATE		04/26/2006			


榮昌科技股份有限公司
GRAND-TEK TECHNOLOGY CO., LTD.

- NOTES:
1. WATERPROOF ROAT : IP67 (防水等級 : IP67)
 2. ONE SET ASSEMBLED IN ONE ZIPPER BAG (每一組組裝後, 放置於一個夾鏈袋, 並封口)
 3. IMPORTANT DIMENSION. (*為檢驗重點尺寸)
 4. 含膠熱縮套管烘好

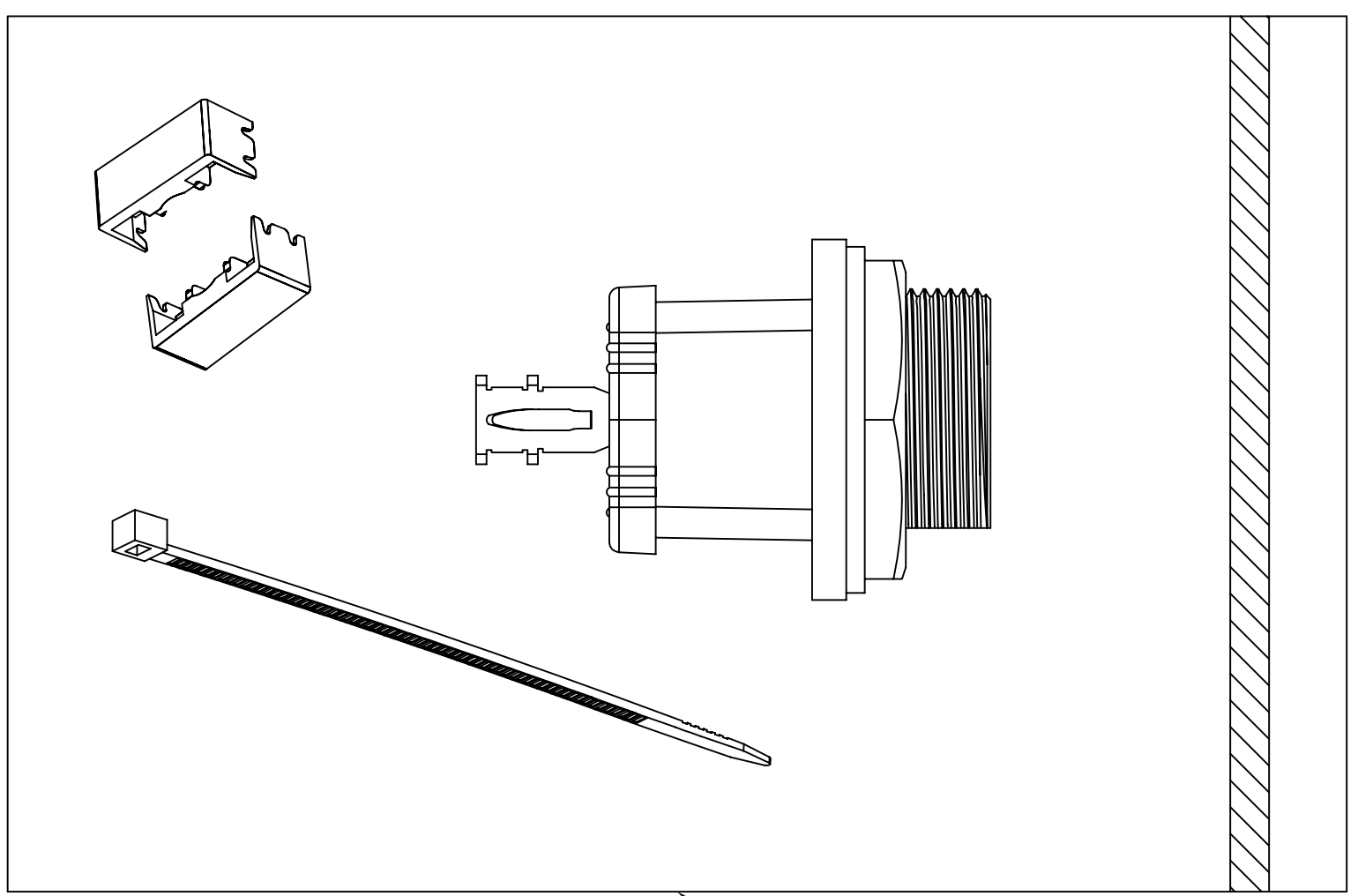
REVISIONS			
DATE	LTR	DESCRIPTION	APVD.
03/22/2006	A	NEW RELEASE	



Recommended Panel Cut-Out


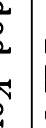
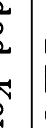
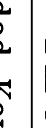
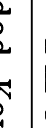
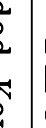
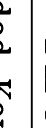
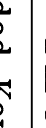
UNLESS OTHERWISE SPECIFIED TOLERANCE : ANGLES : $\pm 2^\circ$		X.X ± 0.3 X.XX ± 0.15 DO NOT SCALE DRAWING		 榮昌科技股份有限公司 GRAND-TEK TECHNOLOGY CO., LTD. (Circular Housing)	
DRAWN BY OPRAH		TITLE Cat.5e Shielded Keystone Jack (Circular Housing)		REV. A	
CHECKED BY	SIZE A	UNIT mm	PART NO.	PAGE 1 OF 2	
APPROVED BY	SCALE 1 : 1	THIRD ANGLE PROJECTION	ITEM NO. NXS-RJ45PNL01	DATE 03/22/2006	
DWG NO.					

REVISIONS			
DATE	LTR	DESCRIPTION	APVD.
03/22/2006	A	NEW RELEASE	



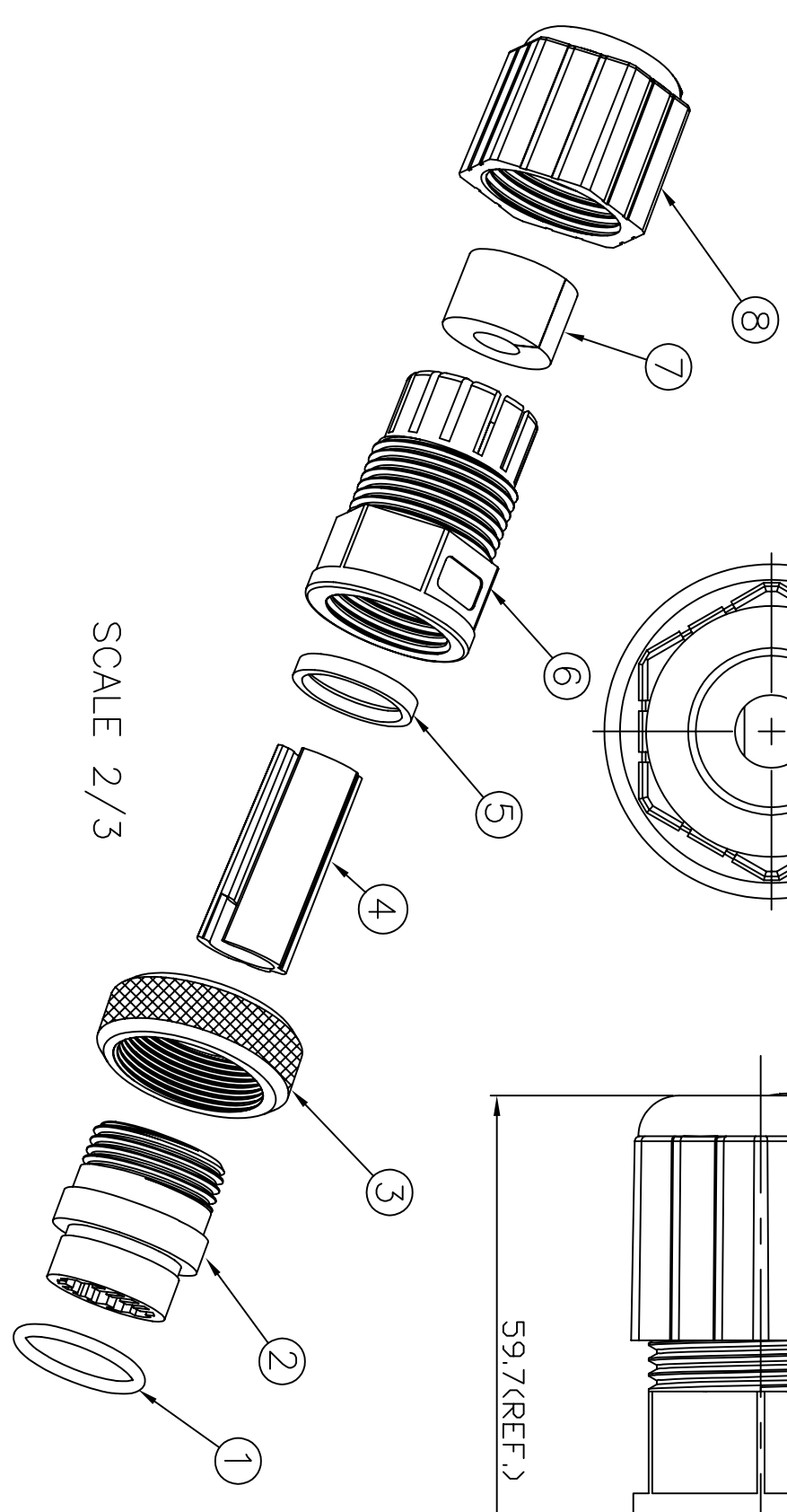
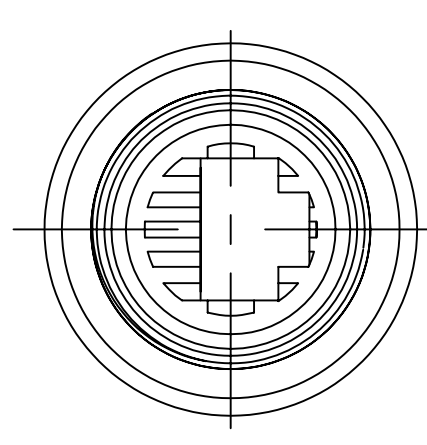
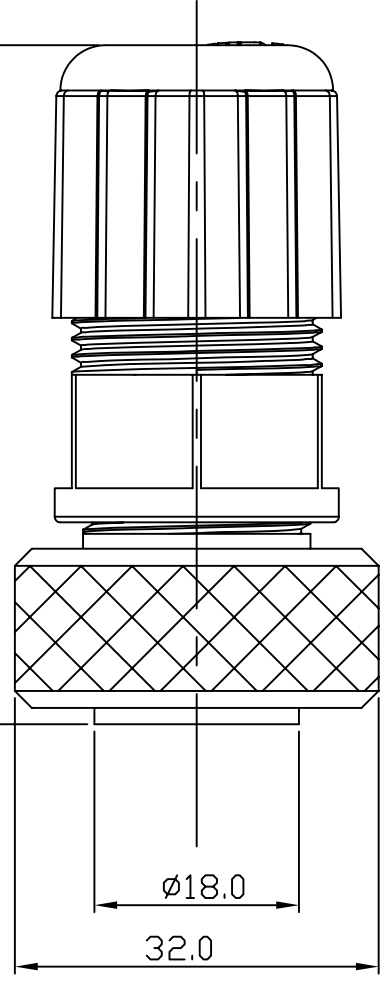
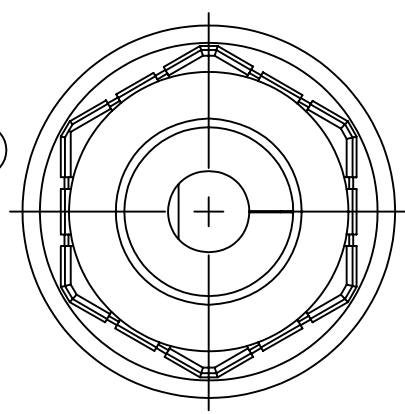
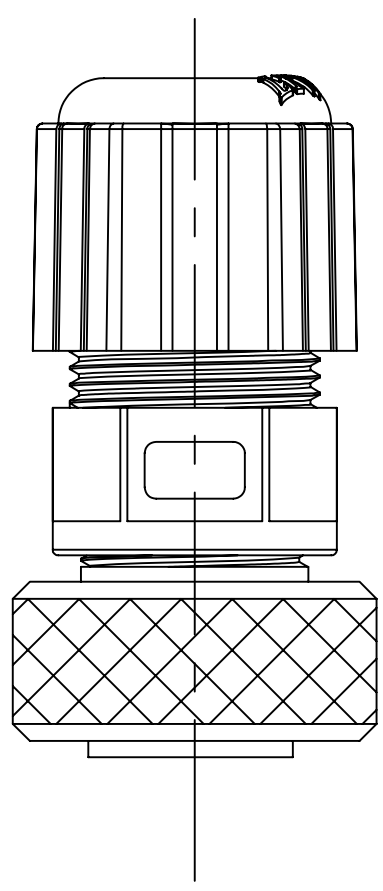
Notes:
 Waterproof Rate : IP67
 (防水等級IP67)

SCALE 2/3

ITEM QTY	DESCRIPTION	COLOR	SPECIFICATION	DWG NO.	UNLESS OTHERWISE SPECIFIED TOLERANCE : ANGLES : ±2°	TITLE	SIZE	UNIT	PART NO.	THIRD ANGLE PROJECTION	PAGE	REV.		
7	PE Bag	NONE	130*90			 榮昌科技股份有限公司 GRAND-TEK TECHNOLOGY CO., LTD. (Circular Housing)	A	mm			2	A		
6	Cover_R	Black	Nylon		X.X ±0.3		Cat.5e Shielded Keystone Jack (Circular Housing)					2		
5	Cover_L	Black	Nylon		X.X ±0.15								2	
4	Keystone Jack	NONE	Cat 5e , Shielded		DO NOT SCALE DRAWING									
3	Housing	Silver	ZINC											
2	Gasket_A	Black	EPDM											
1	Screw Nut	Silver	Brass , Nickel Plated											
ITEM QTY	DESCRIPTION	COLOR	SPECIFICATION	DWG NO.										

ITEM NO. NXS-RJ45PNL01 DATE 03/22/2006

REVISIONS			
DATE	LTR	DESCRIPTION	APV.D.
03/22/2006	A	NEW RELEASE	



SCALE 2/3

ITEM QTY	DESCRIPTION	COLOR	SPECIFICATION
1	PE Bag		130*90
1	Sealing_Nut	Black	Nylon
1	seals	Black	EPDM
1	Clamp_Ring	Black	Nylon
1	Gasket	Black	EPDM
1	Support_B	Black	TPU 98°
1	Screw_Nut	Black	Brass
2	Body_S	Black	Nylon+GF
1	D-Ring	Black	EPDM

UNLESS OTHERWISE SPECIFIED
 TOLERANCE : ANGLES : ±2°
 X.X ±0.3
 X.XX ±0.15 DO NOT SCALE DRAWING

DRAWN BY
 CHECKED BY
 APPROVED BY
 DWG NO.

OPRAH

SIZE A UNIT mm

SCALE 1 : 1

THIRD ANGLE PROJECTION

REV. A

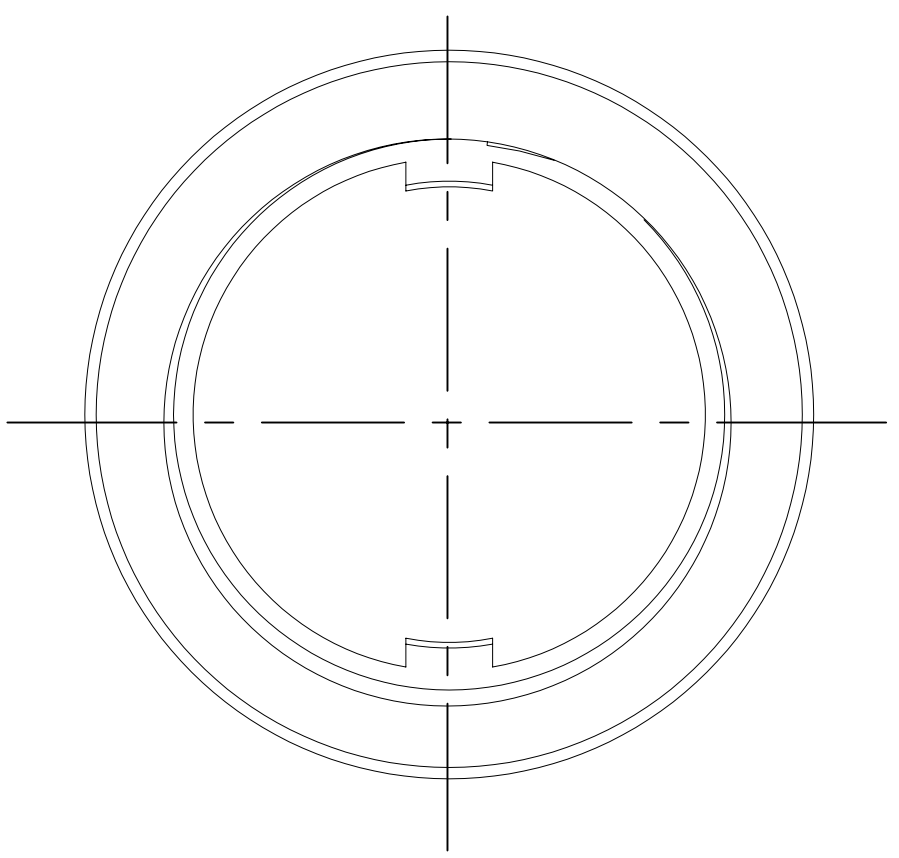
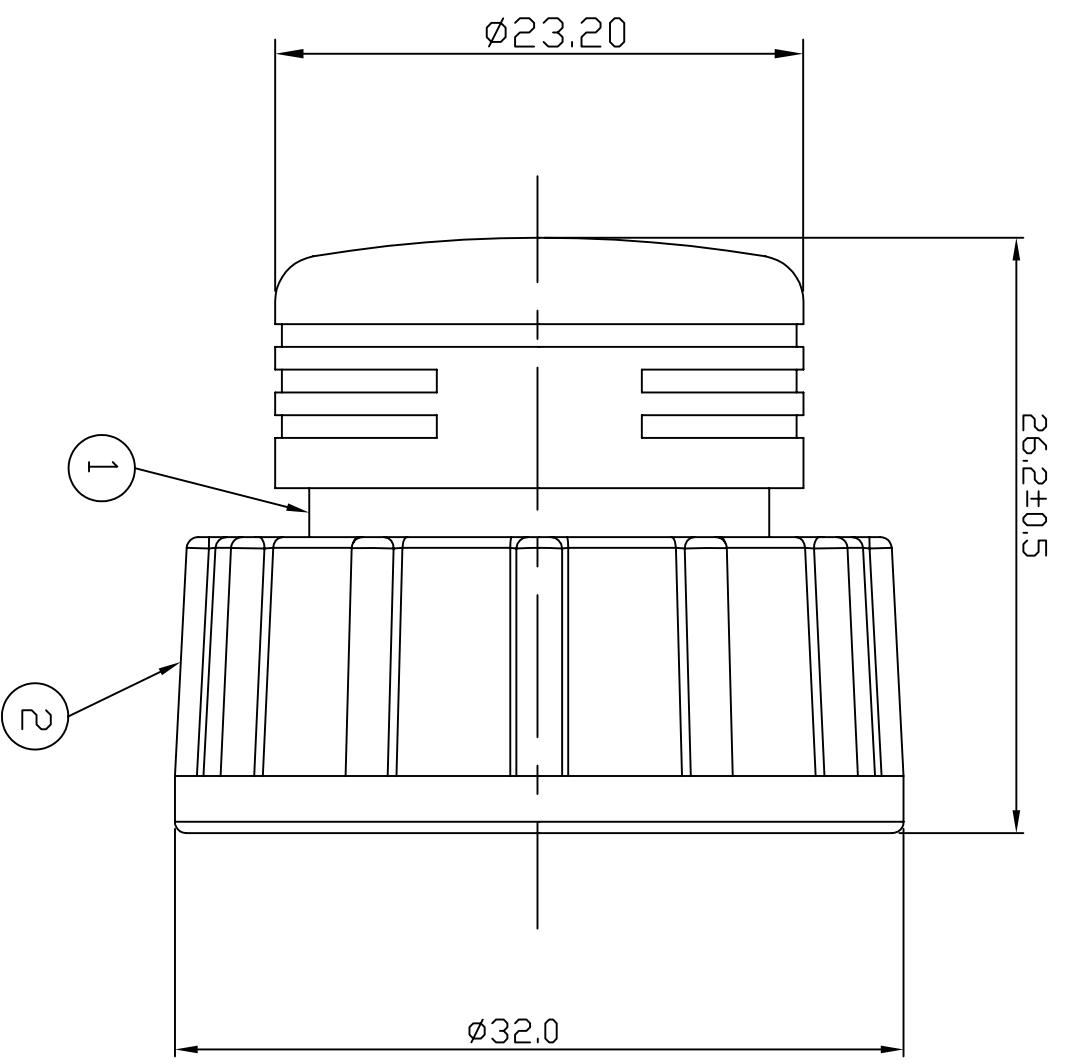
PAGE 1 OF 1

DATE 03/22/2006

榮昌科技股份有限公司
 GRAND-TEK TECHNOLOGY CO., LTD.
 RJ45 APTER PLUG IN(BRESS TYPE)
 CAT.5E SHIEDED FOR CABLE

ITEM NO. NXS-RJ45CBL01

REVISIONS			
DATE	LTR	DESCRIPTION	APV.D.
03/28/2006	A	NEW RELEASE	

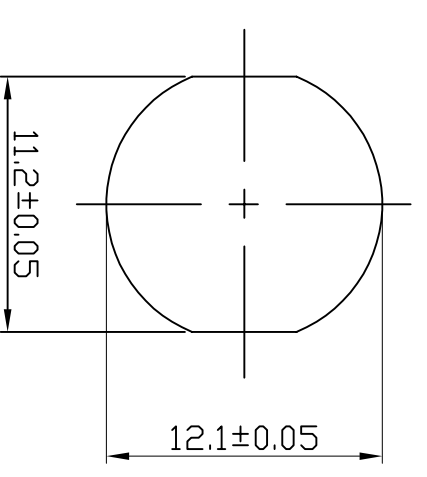
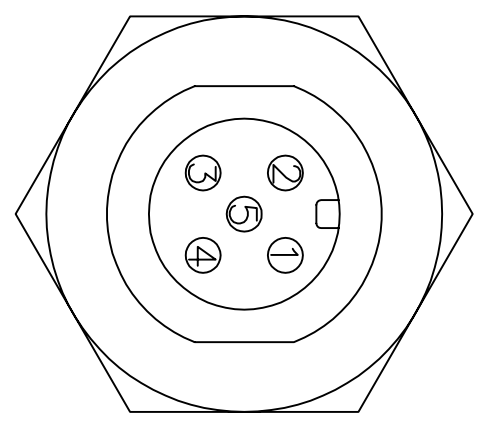
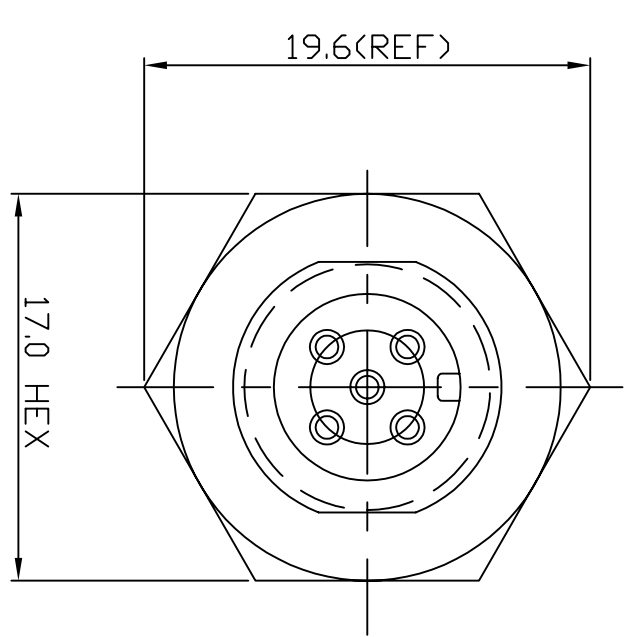
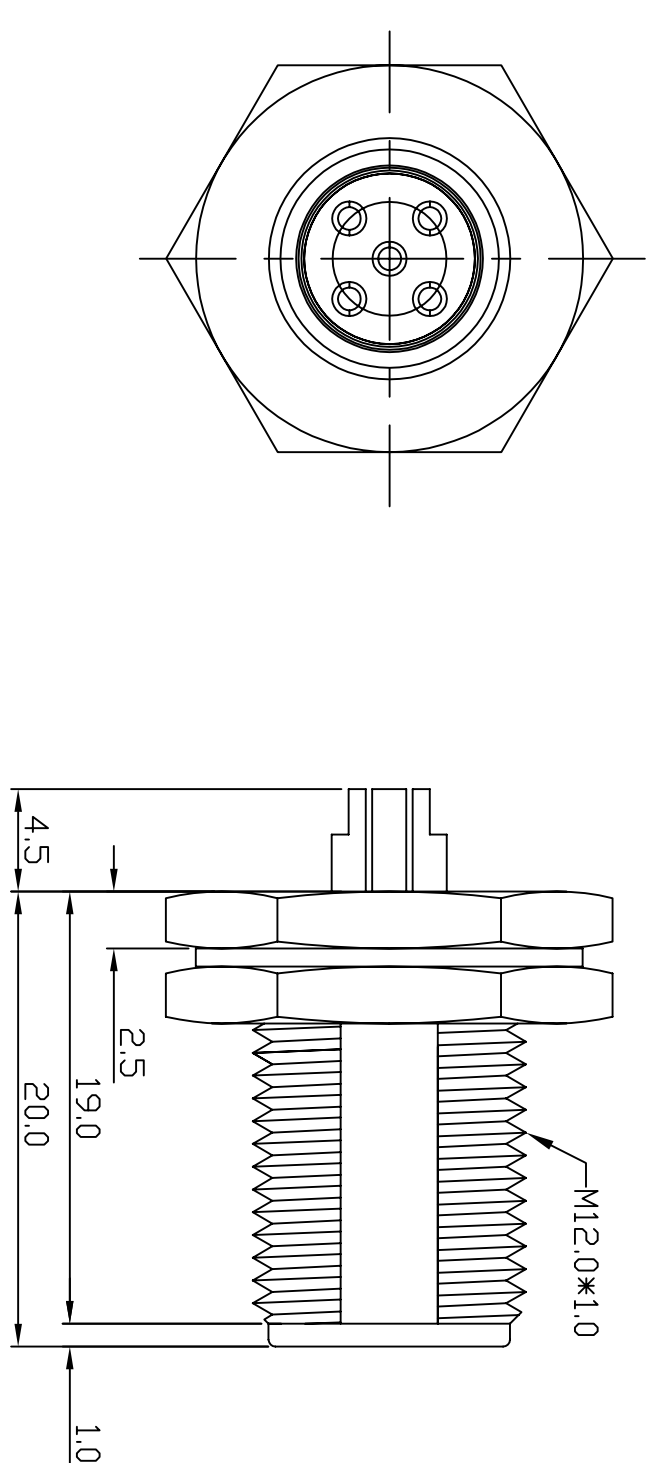


ITEM	QTY	DESCRIPTION	COLOR	SPECIFICATION
2	1	Screw Nut	Black	Nylon
1	1	Connector	Black	Female, Nylon+GF

UNLESS OTHERWISE SPECIFIED TOLERANCE : ANGLES : ±2°		X.X ±0.3 X.XX ±0.15 DO NOT SCALE DRAWING		DRAWN BY OPRAH		TITLE Waterproof Cap For RJ45 Female Connector Female Pin		REV. A	
CHECKED BY		SIZE A	UNIT mm	PART NO.	THIRD ANGLE PROJECTION	PAGE 1	OF 1	DATE 03/28/2006	
APPROVED BY		SCALE 2 : 1		ITEM NO. NXS-RJ45CAP01					
DWG NO.									


榮昌科技股份有限公司
GRAND-TEK TECHNOLOGY CO., LTD.


REVISIONS			APV.D.
DATE	LTR	DESCRIPTION	
03/28/2006	A	NEW RELEASE	



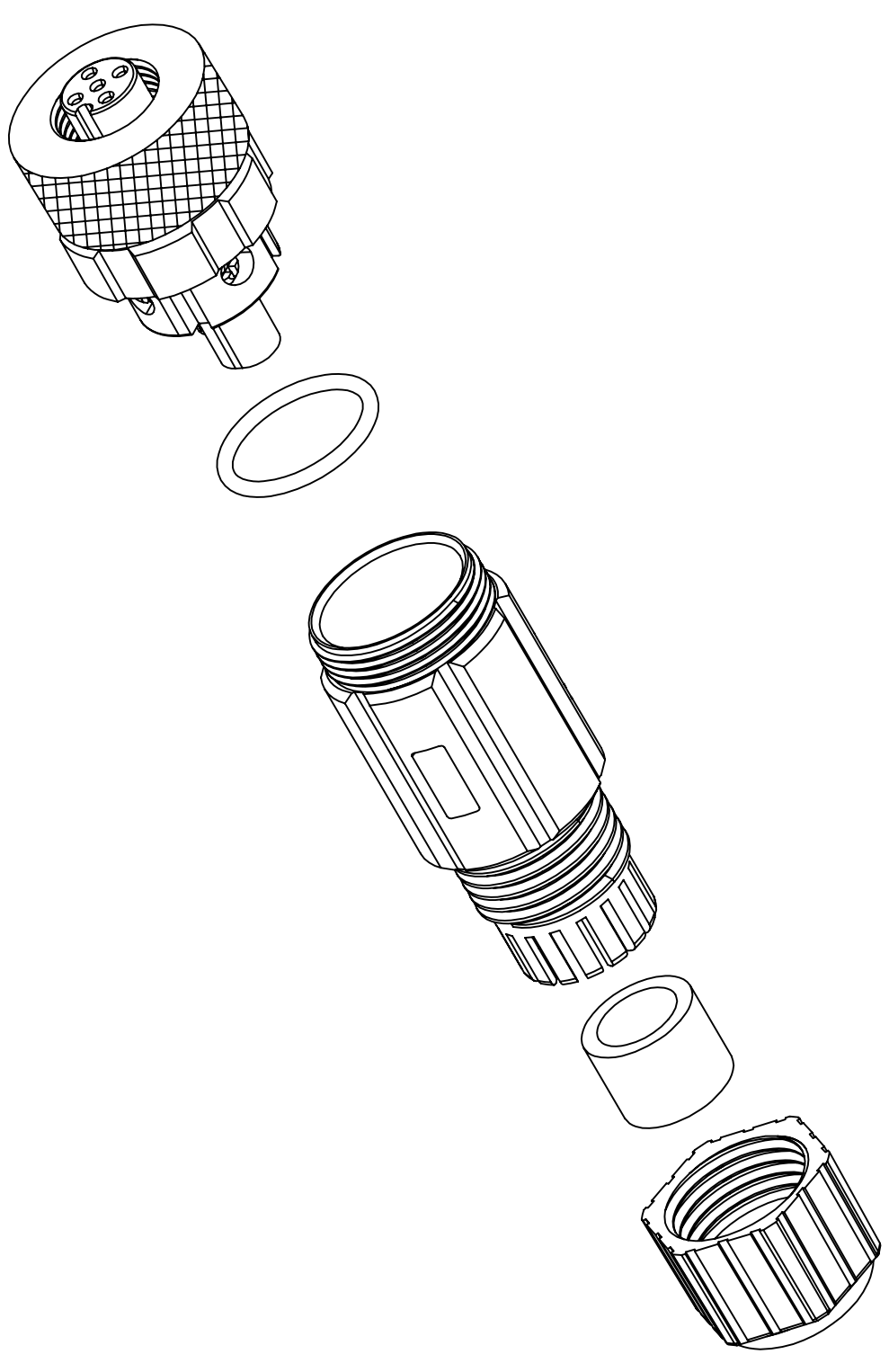
- Note:
1. Waterproof Rate: IP67
 2. Connector: Black, Nylon+GF
 3. Pin: Brass, Gold Plated
 4. Gasket: Black, Silicone 70° 导电橡胶
 5. Nut: Brass, Nickel Plated.
 6. Shielded: Brass, Nickel Plated.
 7. 耐温: -40°C ~ + 80°C.

Pin Assignments Front View
前视图

Recommended Panel Cut-Out

UNLESS OTHERWISE SPECIFIED TOLERANCE : ANGLES : ±2° X.X ±0.3 X.XX ±0.15 DO NOT SCALE DRAWING		 榮昌科技股份有限公司 GRAND-TEK TECHNOLOGY CO., LTD.	
DRAWN BY	OPRAH	TITLE	M12.0 Sensor Connector(5Pin)
CHECKED BY		SIZE A	UNIT mm
APPROVED BY		SCALE 2 : 1	THIRD ANGLE PROJECTION
DWG NO.		ITEM NO.	NXS-DC5PPNL01
		PAGE 1	OF 1
		DATE 03/28/2006	

REVISIONS			
DATE	LTR	DESCRIPTION	APV.D.
03/28/2006	A	NEW RELEASE	



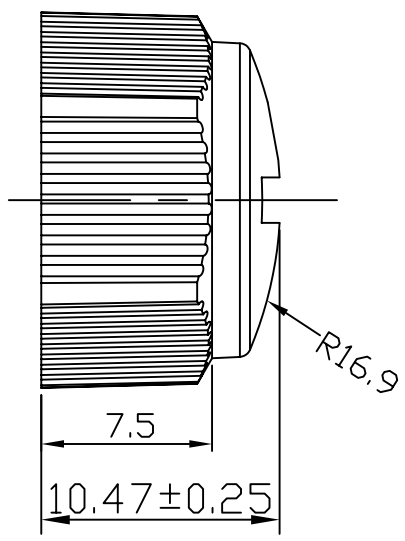
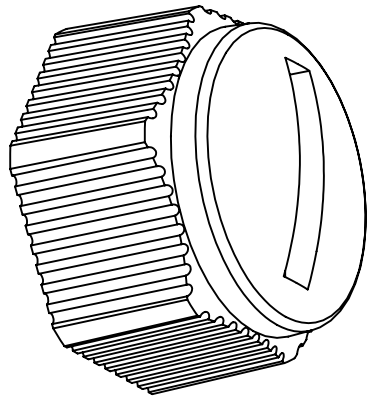
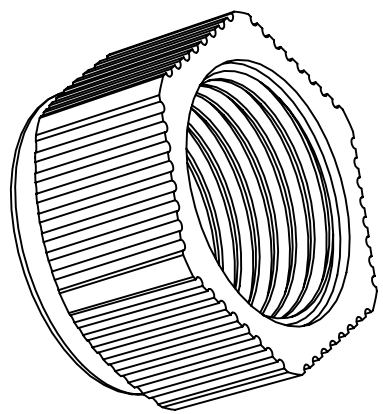
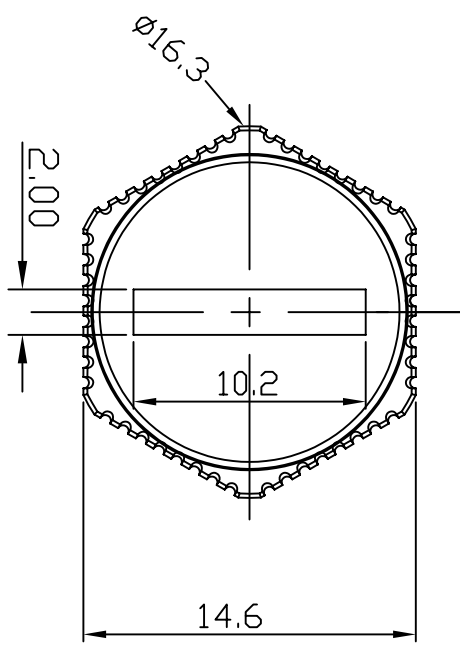
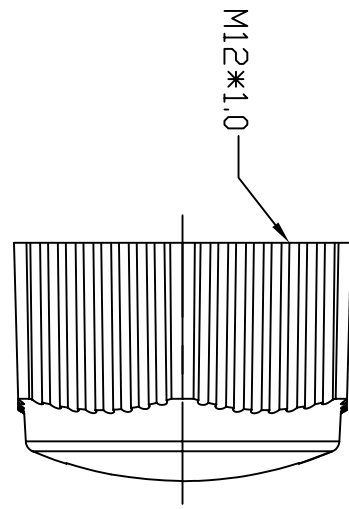
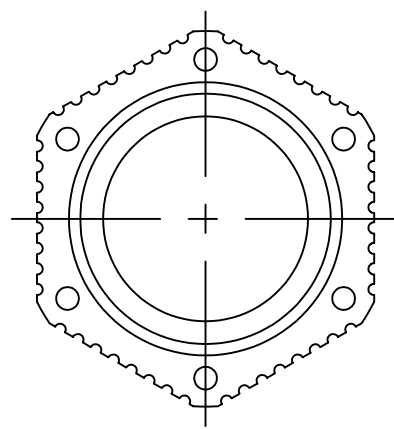
Note:

1. Waterproof Rate: IP67
2. Connector: Black, Nylon+GF
3. Pin: Brass, Gold Plated
4. O-Ring 1: Green, Viton.
5. O-Ring 2: Black, EPDM.
6. Holder: Black, Nylon+GF
7. Insulator: Black, PVC
8. Clamp Ring: Black, Nylon 66.
9. Gasket: Black, EPDM.
10. Sealing Nut: Black, Nylon 66
11. 耐温 -40°C ~ +80°C.

UNLESS OTHERWISE SPECIFIED TOLERANCE : ANGLES : ±2°		X.X ±0.3		X.XX ±0.15		DO NOT SCALE DRAWING	
DRAWN BY OPRAH				TITLE M12.0 Assembly Screw Type Pin			
CHECKED BY		SIZE A		UNIT mm		PART NO.	
APPROVED BY		SCALE 2 : 1		THIRD ANGLE PROJECTION		PAGE 1 OF 1	
DWG NO.		ITEM NO.		NXS-DC5PCBL01		DATE 03/28/2006	


榮昌科技股份有限公司
GRAND-TEK TECHNOLOGY CO., LTD.

REVISIONS			
DATE	LTR	DESCRIPTION	APV.D.
03/28/2006	A	NEW RELEASE	



UNLESS OTHERWISE SPECIFIED
 TOLERANCE : ANGLES : ±2°
 X.X ±0.3
 X.XX ±0.15 DO NOT SCALE DRAWING


榮昌科技股份有限公司
GRAND-TEK TECHNOLOGY CO., LTD.

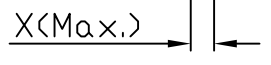
DRAWN BY: **OPRAH** TITLE: **M12.0 Sensor Connector(5Pin)**

CHECKED BY	SIZE A	UNIT mm	PART NO.	REV. A
APPROVED BY	SCALE 2 : 1		THIRD ANGLE PROJECTION	PAGE 1 OF 1

DWG NO. ITEM NO. **NXS-DC5PCAP01** DATE **03/28/2006**

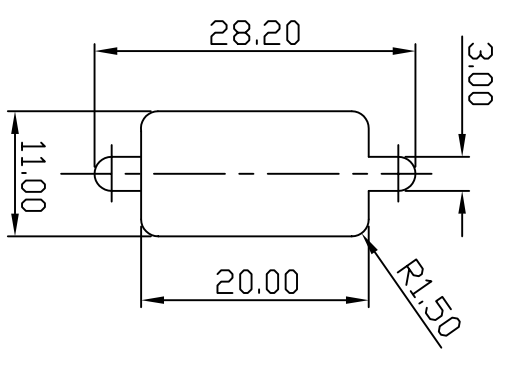
REVISIONS			
DATE	LTR	DESCRIPTION	APV.D.
03/28/2006	A	NEW RELEASE	

Panel Thickness
面板厚度

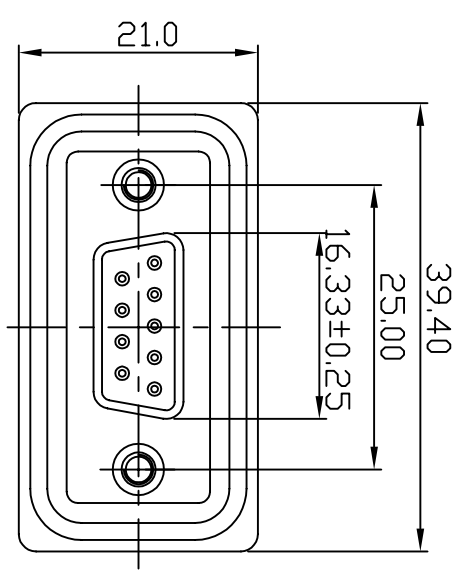
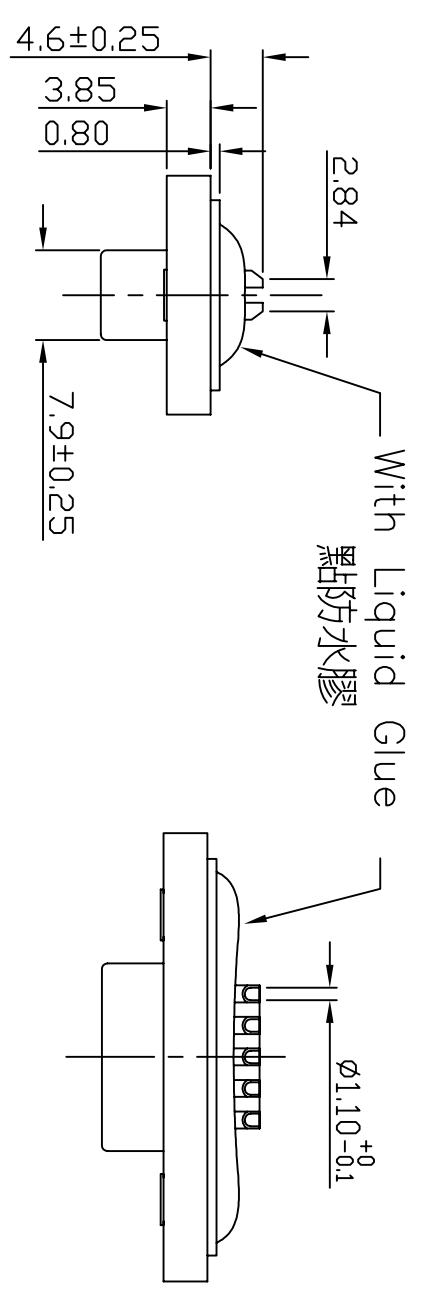
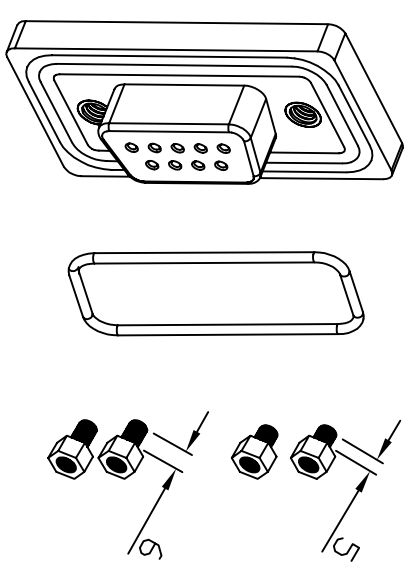


Screw L=5.0 For Panel Thickness Under 1.2mm
適用板厚為 1.2mm 以下

Screw L=6.0 For Panel Thickness Between 1.2~2.0mm
適用板厚為 1.2~2.0mm



Recommended Panel Cut-Out
建議挖孔尺寸



Note:

1. Core Color: Black
膠心顏色：黑色
2. Do Mating Test After Glued
黏貼後，須作對插測試
3. Applicable Wire Range: 22AWG-26AWG
適用電線範圍：22AWG-26AWG

UNLESS OTHERWISE SPECIFIED TOLERANCE : ANGLES : ±2°		X.X ±0.3		X.XX ±0.15		DO NOT SCALE DRAWING	
DRAWN BY		OPRAH		TITLE		D-SUB Waterproof Connector 9Pin Female For Panel, Solder Type 180°	
CHECKED BY		SIZE A		UNIT mm		PART NO.	
APPROVED BY		SCALE 2 : 1		THIRD ANGLE PROJECTION		PAGE 1 OF 1	
DWG NO.		ITEM NO.		NXS-DB9PNL01		DATE 03/28/2006	

 榮昌科技股份有限公司
GRAND-TEK TECHNOLOGY CO., LTD.