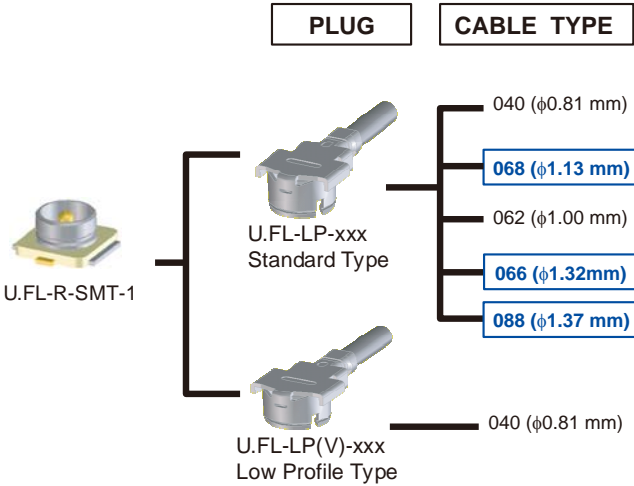


GTT CABLE ASSEMBLY TECHNICAL DATA

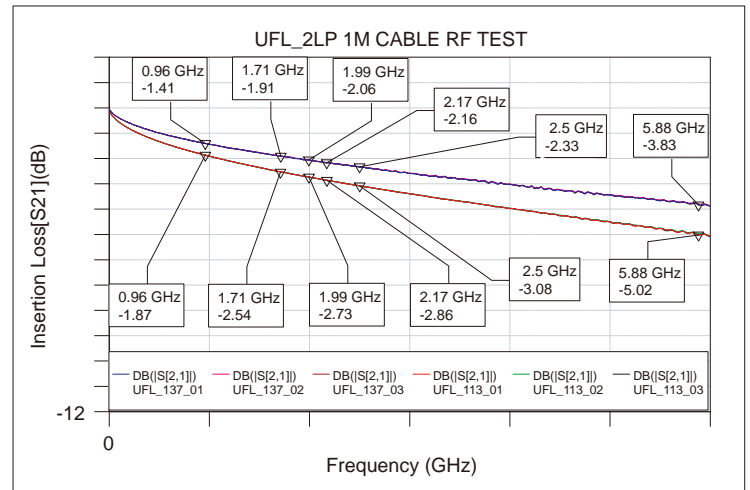
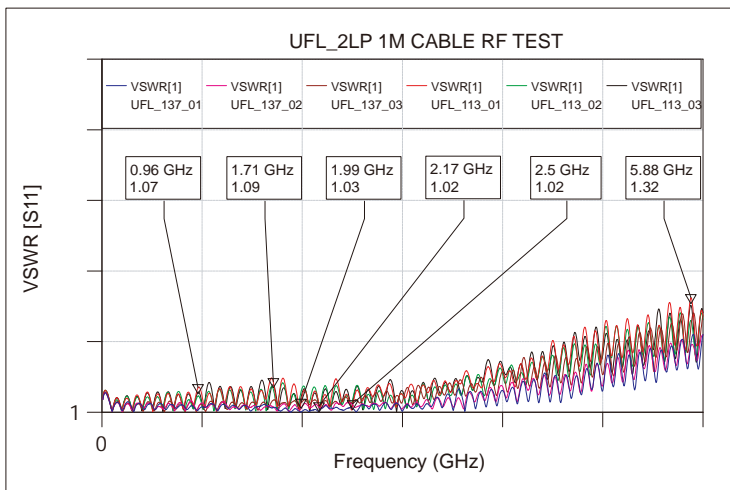
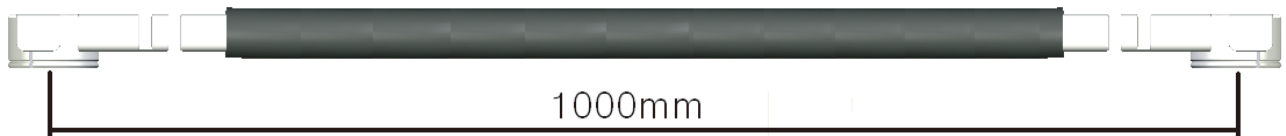
HRS U.FL Series*



U.FL Coding

U.FL - 2LP - 088G2T - A - (155)

① Series	U: U.FL		④ Identification of dimension and CN position	
② Assembly Type	LP: Single Ended 2LP: Double Ended LP(V): Single Ended 2LP(V): Double Ended			
③ Cable Type	Cable Size	068: OD 1.13 mm (Single Shield) 066: OD 1.32 mm (Double Shield) 088: OD 1.37 mm (Single Shield)		
	Cable Maker	G: GTT AVL K: Kurabe N: NISSEI		
	Cable Color	1: Gray 2: Black 3: White		
Braid Plating	Blank: Silver Plating T: Tin Plating		⑤ Total Length	Length is 155 mm



U.FL-2LP-068GXT-A-(1000)						
FREQUENCY	960MHz	1715MHz	1990MHz	2170MHz	2500MHz	5800MHz
VSWR	1.2(Max.) :1	1.2(Max.) :1	1.2(Max.) :1	1.3(Max.) :1	1.3(Max.) :1	1.4(Max.) :1
Insertion Loss	-2.0dB	-2.7dB	-2.9dB	-3.0dB	-3.2dB	-5.2dB

U.FL-2LP-088GXT-A-(1000)						
FREQUENCY	960MHz	1715MHz	1990MHz	2170MHz	2500MHz	5800MHz
VSWR	1.2(Max.) :1	1.2(Max.) :1	1.2(Max.) :1	1.3(Max.) :1	1.3(Max.) :1	1.4(Max.) :1
Insertion Loss	-1.6dB	-2.1dB	-2.2dB	-2.3dB	-2.5dB	-4.0dB

*GTT has updated the U.FL-series connectors made by Hirose Electric Co., Ltd from Halogen version to Halogen-Free version to her business domain since March, 2010.