

ALPINECACTUS Enclosure : Industrial Grade Design



Grand-tek ALPINECACTUS Enclosure, is an IP-67 rated enclosure for highly customizable wireless and industrial control systems' integration, adapting various and specific application requirements.

ALPINECACTUS, featured high adaptation ability to harsh, wet environments ,varied weathers and terrains.

IP67 protection, totally protected against dust and the effect of immersion up to 1meter.

ADC12 Die-casting Material, Al-Si-Mg based alloy, applied to Japanese Standard (JIS), characterized better casting surface and longer lasting metallic luster.

Applications

- Wireless Access Points
- Industrial Control Systems
- Outdoor Telecom Base Stations
- Power Systems and Other Larger Outdoor Applications

Specifications

Material	ADC12 Die-casting Alloy Al-Si-Mg Based
Ingress Protection	Ingress Protection and NEMA rating IP67
Outer Dimension	215(L) x 122(W) x 66(H)
Interior Space	155(L) x 85(W) x 31(H)
RF/ Antenna	Engineered Hole-Max. 2 ports
I/O/ Ethernet	Engineered Hole-Max. 2 ports
Mounting	Pole and Wall rotational-mounting
Cover	Outdoor-graded Anti-UV plastic cover
Operating Environment	-40°C to 120°C Self Heat and Humidity Adjusting

Features & Reliability

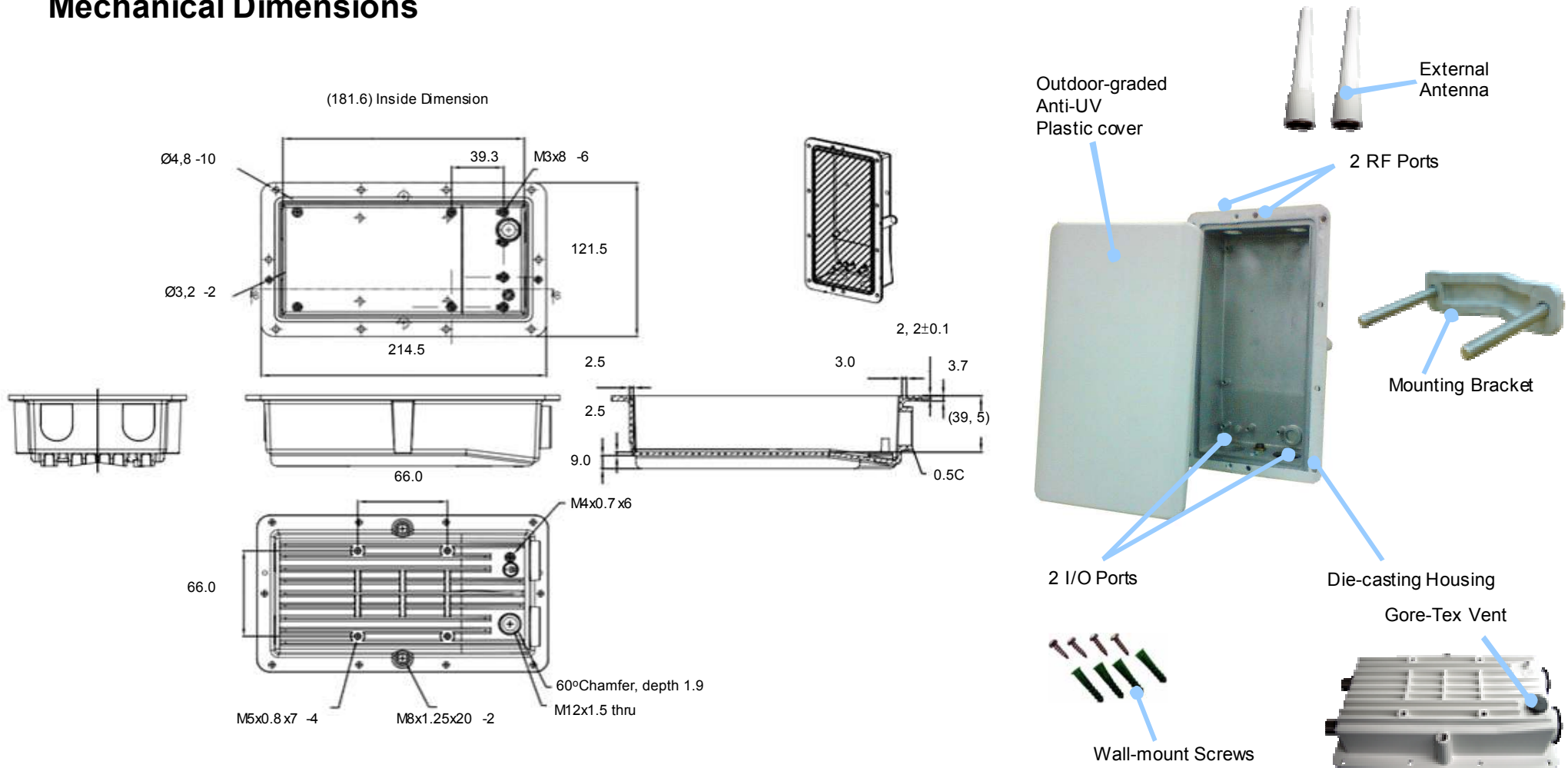
Robust Frame Anti-corrosion
Complete Protection Against Contact No Immersion in Water up to 1 Meter
Flat & Flexible Adaptation Ample Space for PCB Integration
Top 2 RF Port Options Bottom 2 I/O Port Options
Simple & Self- install OEM Brand Applicable on Top Cover
Thermal Simulation & Serial of Reliability Tests: (Temperature /Humidity /Rain /Salt Spray /Dust /ME Strength)



ALPINECACTUS Enclosure : Industrial Grade Design



Mechanical Dimensions



Benefits of Vent Integration:

Pressure equalization

Reducing stress exerted on the mechanical structure of the enclosure

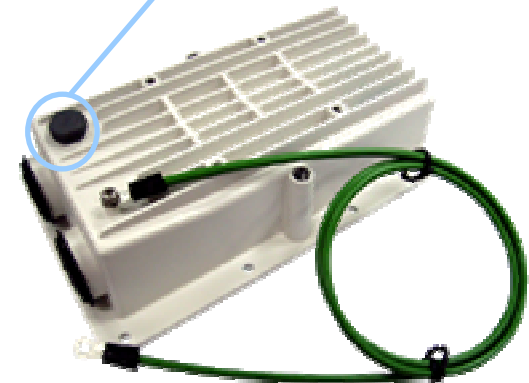
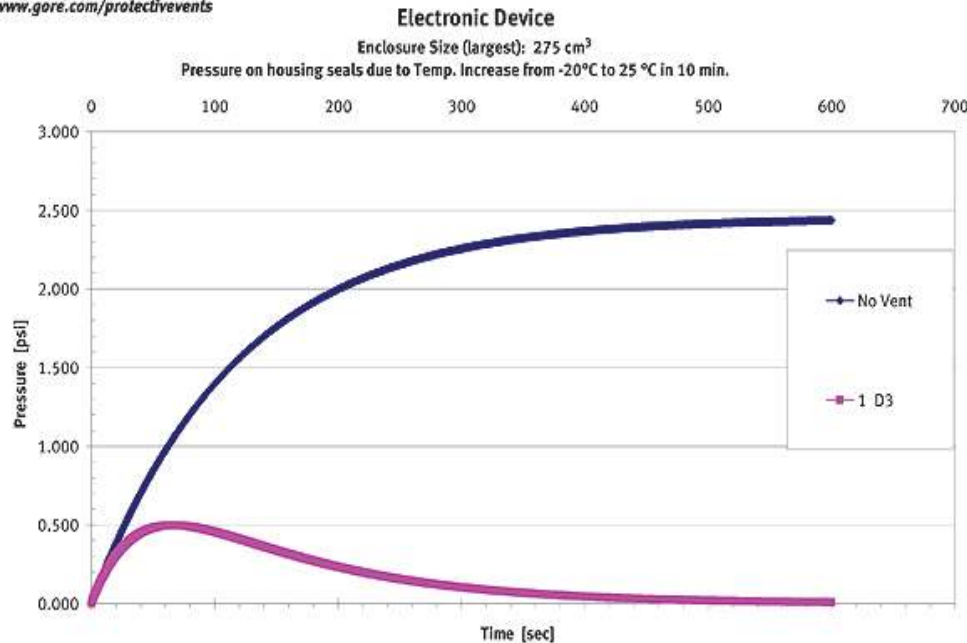
Eliminates Humidity from the enclosure (Hydrophobic action)

Protects the electronics in the enclosure from water, salts & corrosive liquids

Airflow

Prevents hazardous gases from building up inside the enclosure

GORE™ PROTECTIVE VENTS
www.gore.com/protectivevents



Variant Enclosure Mountings : Installation Friendly



GOLD Low Profile

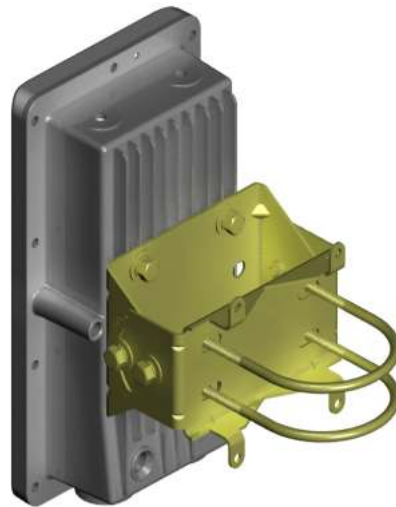


P/N: GTT-MNT-LP1

Simple pole & wall-mounting

Ideal for external antenna connection use

GOLD Rotational



P/N: GTT-MNT-RT1

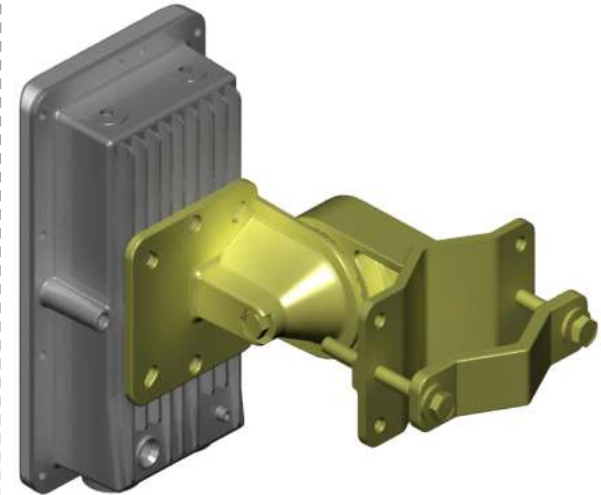
Pole & Wall rotational-mounting.

Pole mount rotation:

Horizontal: 360°

Vertical: max. 80°

PLATIUM Rotational²



P/N: GTT-MNT-RT2

Pole & Wall rotational-mounting.

Pole mount rotation:

Horizontal: 360°

Vertical: min. 120°

Wall mount rotation:

Horizontal: N/A

Vertical: min. 120°

