

# ALPINECACTUS Enclosure : Industrial Grade Design



**Grand-tek** ALPINECACTUS Enclosure, is an IP-67 rated enclosure for highly customizable wireless and industrial control systems' integration, adapting various and specific application requirements.

**ALPINECACTUS**, featured high adaptation ability to harsh, wet environments ,varied weathers and terrains.

**IP67 protection**, totally protected against dust and the effect of immersion up to 1meter.

**ADC12 Die-casting Material**, Al-Si-Mg based alloy, applied to Japanese Standard (JIS), characterized better casting surface and longer lasting metallic luster.

## Applications

- Wireless Access Points
- Industrial Control Systems
- Outdoor Telecom Base Stations
- Power Systems and Other Larger Outdoor Applications

## Specifications

Material	ADC12 Die-casting Alloy Al-Si-Mg Based
Ingress Protection	Ingress Protection and NEMA rating IP67
Outer Dimension	215(L) x 122(W) x 66(H)
Interior Space	155(L) x 85(W) x 31(H)
RF/ Antenna	Engineered Hole-Max. 2 ports
I/O/ Ethernet	Engineered Hole-Max. 2 ports
Mounting	Pole and Wall rotational-mounting
Cover	Outdoor-graded Anti-UV plastic cover
Operating Environment	-40°C to 120°C Self Heat and Humidity Adjusting

## Features & Reliability

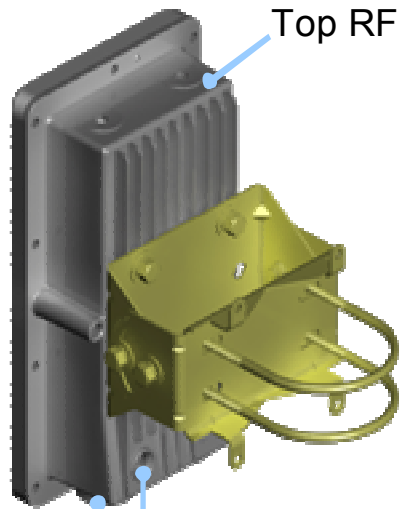
Robust Frame Anti-corrosion
Complete Protection Against Contact No Immersion in Water up to 1 Meter
Flat & Flexible Adaptation
Ample Space for PCB Integration
Top 2 RF Port Options
Bottom 2 I/O Port Options
Simple & Self- install
OEM Brand Applicable on Top Cover
Thermal Simulation & Serial of Reliability Tests: (Temperature /Humidity /Rain /Salt Spray /Dust /ME Strength)



# ALPINECACTUS Enclosure : Industrial Grade Design



## Configuration



Top RF

Bottom I/O

Special Feature: **Ventilation**



### DUAL XTREME 11n/16e

Top RF Port Configuration

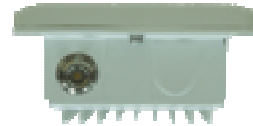
P/N: GTT-AC-11-N



Dual-port **N**

### SINGLE LIGHT

P/N: GTT-AC-01-N



Single-port **N**

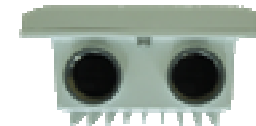
### Zero Ultra LIGHT

P/N: GTT-AC-00-N



Zero-port **N**

Bottom I/O Configuration



Opened



Sealed

### Supported I/O Connections

RJ45 ETHERNET  
 RJ45 GIGANET  
 RJ11 VoIP/Dial-up  
 DC /AC Power  
 Video Line-In

RS232/COM  
 RS485 connection  
 Hardware Reset  
 LED Indication  
 Buzzer / Beeper

### Application-Oriented I/O



Plastic  
 (Black)

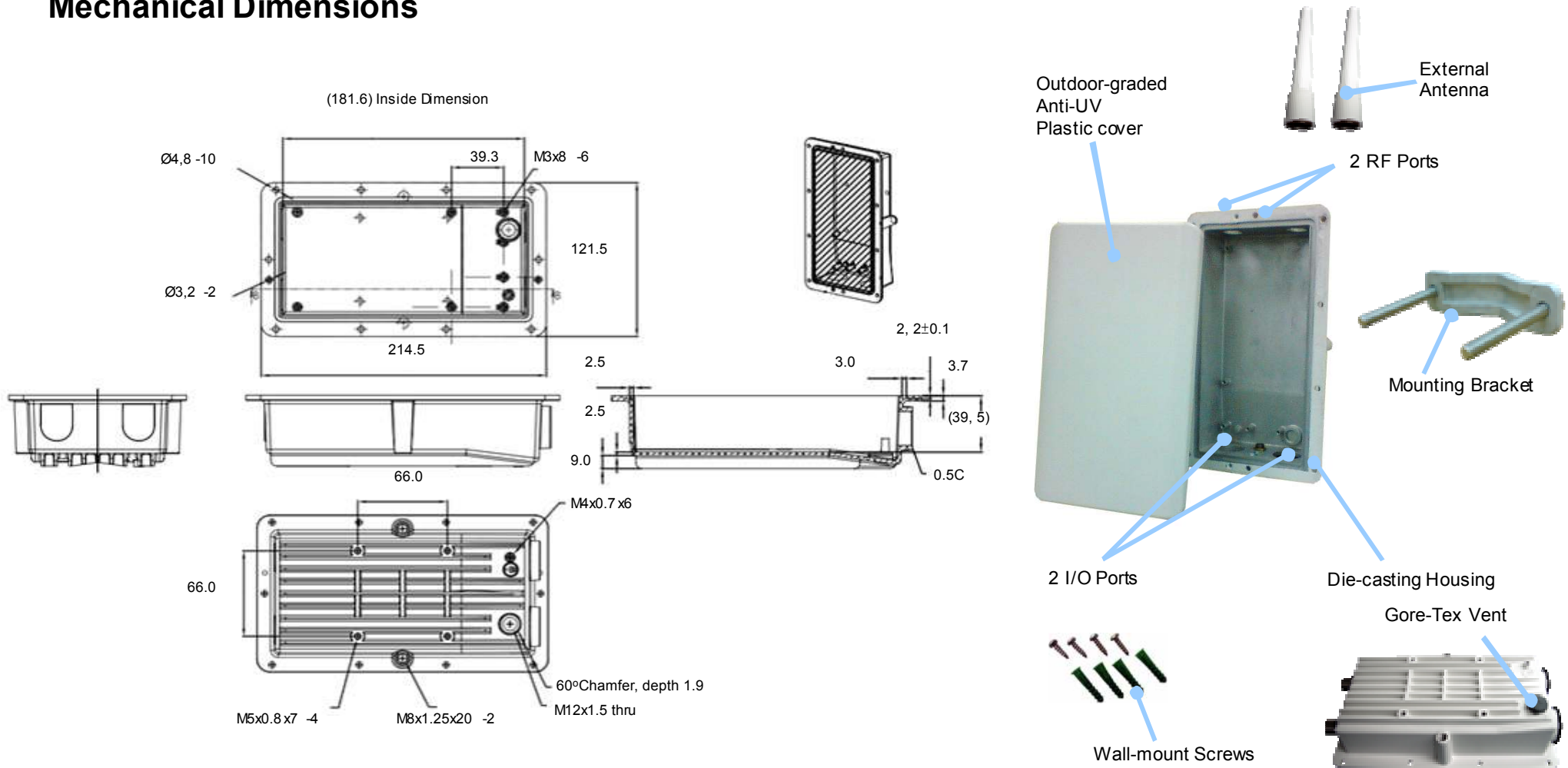
### Field-Installation



# ALPINECACTUS Enclosure : Industrial Grade Design



## Mechanical Dimensions



## Benefits of Vent Integration:

### Pressure equalization

Reducing stress exerted on the mechanical structure of the enclosure

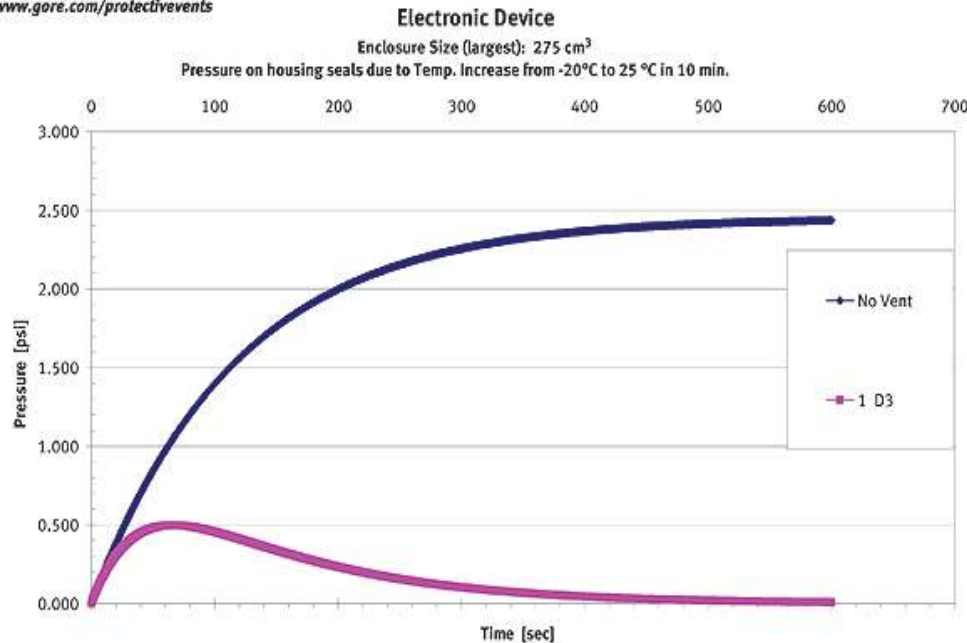
### Eliminates Humidity from the enclosure (Hydrophobic action)

Protects the electronics in the enclosure from water, salts & corrosive liquids

### Airflow

Prevents hazardous gases from building up inside the enclosure

GORE™ PROTECTIVE VENTS  
[www.gore.com/protectivevents](http://www.gore.com/protectivevents)



# Variant Enclosure Mountings : Installation Friendly



## GOLD Low Profile

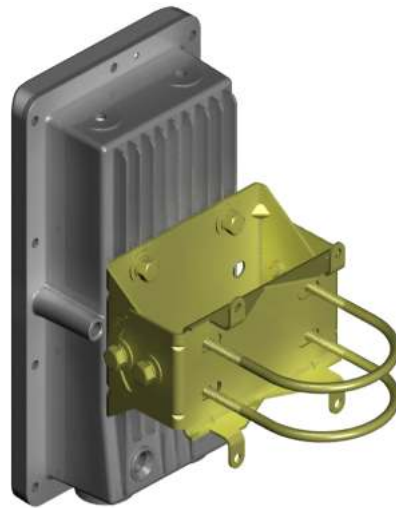


P/N: GTT-MNT-LP1

Simple pole & wall-mounting

Ideal for external antenna connection use

## GOLD Rotational



P/N: GTT-MNT-RT1

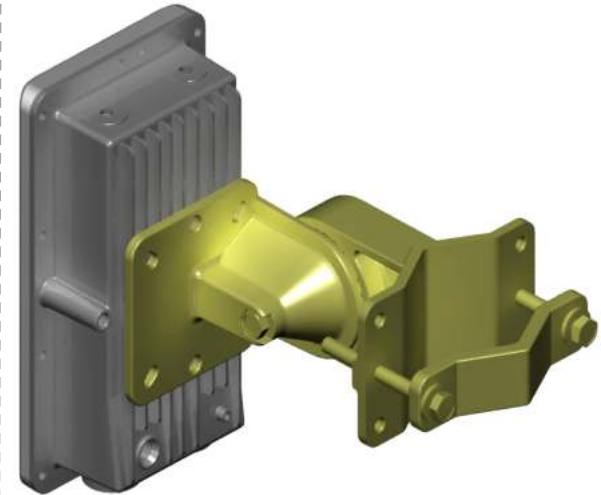
Pole & Wall rotational-mounting.

Pole mount rotation:

Horizontal: 360°

Vertical: max. 80°

## PLATIUM Rotational<sup>2</sup>



P/N: GTT-MNT-RT2

Pole & Wall rotational-mounting.

Pole mount rotation:

Horizontal: 360°

Vertical: min. 120°

Wall mount rotation:

Horizontal: N/A

Vertical: min. 120°



Global View

Local Touch

### WM2M Global Network



**Contact US: [Wireless@grand-tek.com](mailto:Wireless@grand-tek.com)**

